

# MODEL 36






PRECISION OPEN FACE / PNEUMATIC LIFT FLAT LAPPING MACHINE



PLATE-DIAMETER 36" (914.4 MM)  
VERSIONS: 3 OR 4 RINGS  
TYPE: SINGLE SIDED

*Open face version (left), pneumatic lift version*

## MEETING TODAY'S PRECISION SURFACING REQUIREMENTS

-  Available in an open face or a pneumatic lift version, each optionally with 3 or 4 rings
-  Can be used to process a wide variety of materials including semiconductors, electro-optics, ceramics, metals and other specialty products
-  Heavy duty, tubular steel frame with integrally mounted drive motor and gear reducer
-  Heavy duty work table, vertically adjustable
-  Conditioning rings with adjustable roller bearing yoke assemblies to maintain lap plate flatness

ACHIEVING HIGH STANDARDS OF FLATNESS AND SURFACE FINISH

## HIGHLIGHTS MODEL 36 (OPEN FACE / PNEUMATIC LIFT)

- ✔ Individual two hand anti-tie down pneumatic cylinder controls. Variable down pressure from 66 lbs / 30 kg to 440 lbs / 200 kg when connected to 60 psi minimum air supply
- ✔ Abrasive slurry distribution system complete with pump, agitator, storage tank, waste container and multiple point feed tubes
- ✔ Electrical system wired for 230 / 460V. 60 Hz, 3 phase with operator controls at 110V. NEMA Type 12 enclosure complies to JIC standards
- ✔ High torque drive unit consisting of 5.3hp / 4kW motor and heavy duty gear reducer. Electronic soft start included for smooth lap plate acceleration. Lap plate speed 58 rpm

## OPTIONAL FEATURES

- ✔ Water cooled lap plates
- ✔ Non-standard voltages
- ✔ Custom machines and tooling
- ✔ Enlarged, moveable work table to improve multiple parts handling

## STANDARD SPECIFICATIONS

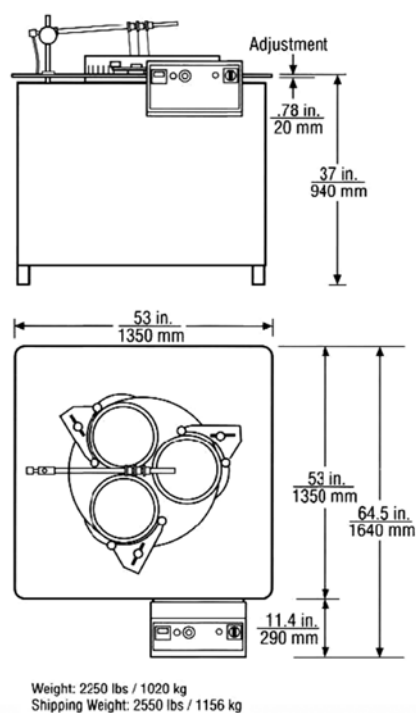
- High density, cast iron serrated lapping plate 914 mm O.D. × 172 mm I.D. / 36" O.D. × 6.75" I.D.
- Three high density cast iron serrated conditioning rings 419 mm O.D. × 368 mm I.D. / 16.5" O.D. × 14.5" I.D. Wear life 70 mm / 2.8"
- Three work holder blanks
- Three sponge rubber pads (open lift)
- Three felt pads (pneumatic lift)
- Starter sample of Lapmaster abrasive
- Starter sample of Lapmaster vehicle
- Lap plate lifting tool
- Set of Allen Keys
- Operation and maintenance manual

## APPROXIMATE WEIGHT

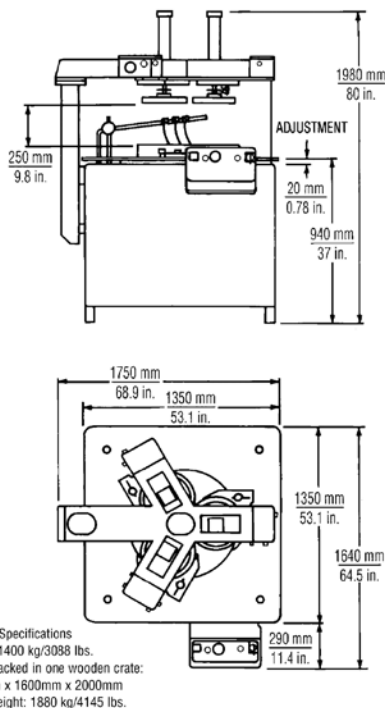
- Open face:  
2250 lbs / 1020 kg
- Pneumatic lift:  
3088 lbs / 1400 kg

## APPROXIMATE DIMENSIONS

- Open face:  
43" × 52.8" × 36"  
1100 mm × 1350 mm × 915 mm
- Pneumatic lift:  
68.9" × 64.5" × 80"  
1750 mm × 1640 mm × 1980 mm



Open face version



Pneumatic lift version

**GET IN TOUCH WITH US TODAY**  
TOGETHER WE WILL FIND A SOLUTION  
FOR YOUR REQUIREMENTS

## LAPMASTER WOLTERS

Phone: 1 877 352 8637  
sales@lapmaster-wolters.com  
www.lapmaster-wolters.com